

**Figures for
Introduction to Analysis
in Several Variables**

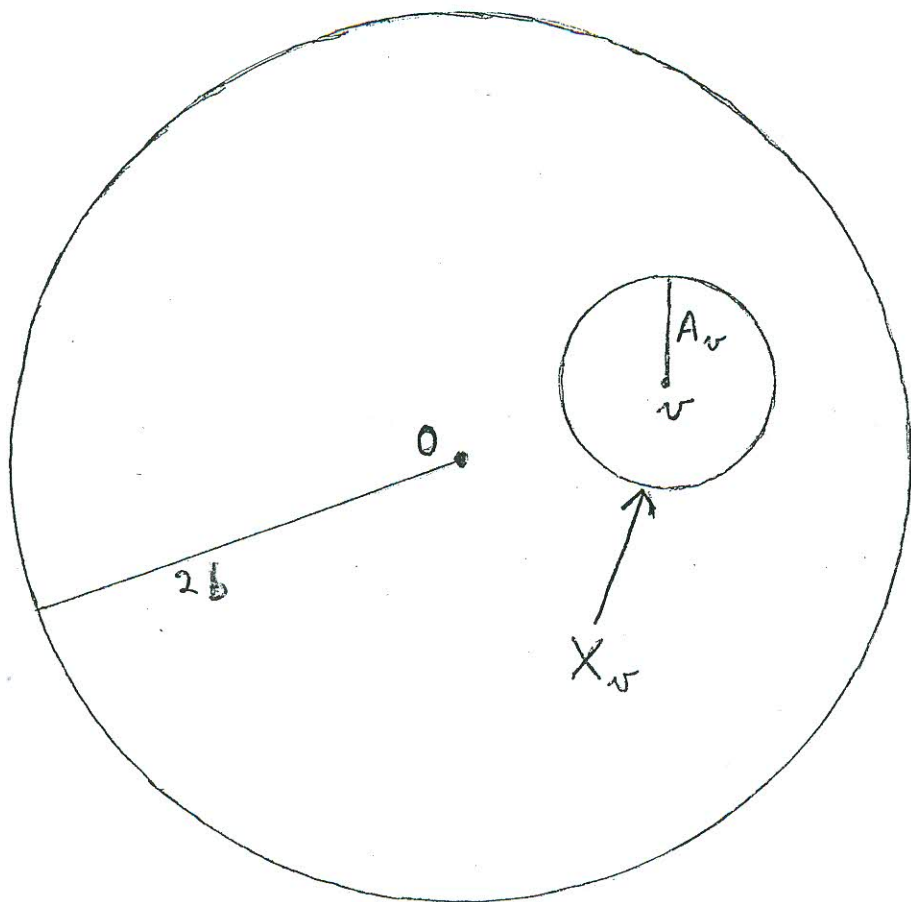


Fig. 2.1

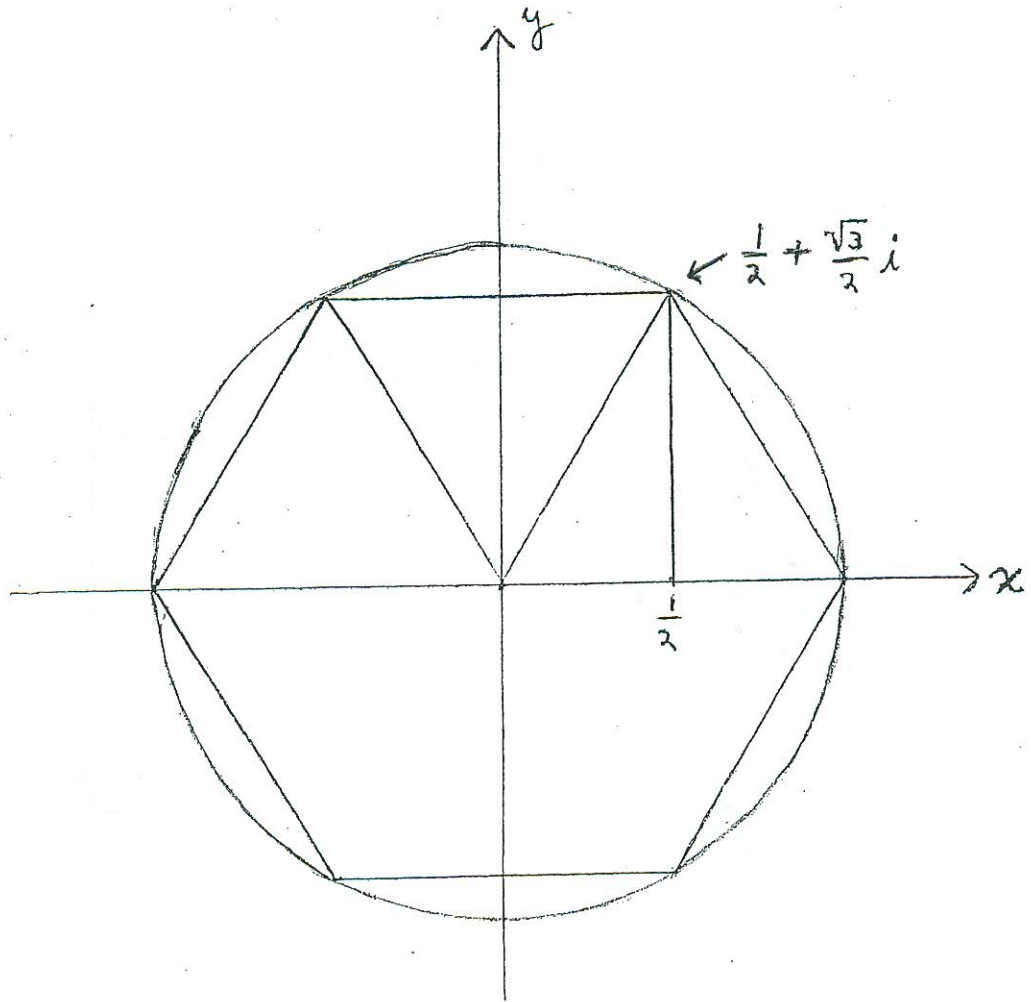


Fig. 3.1

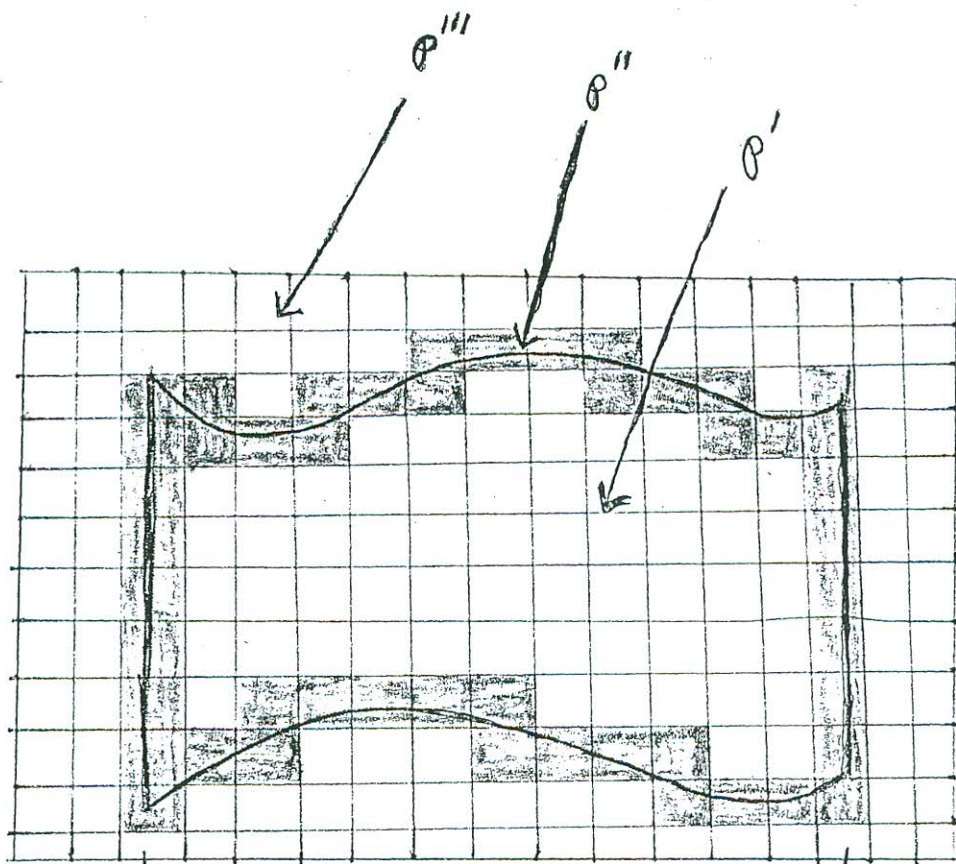


Fig. 4.1

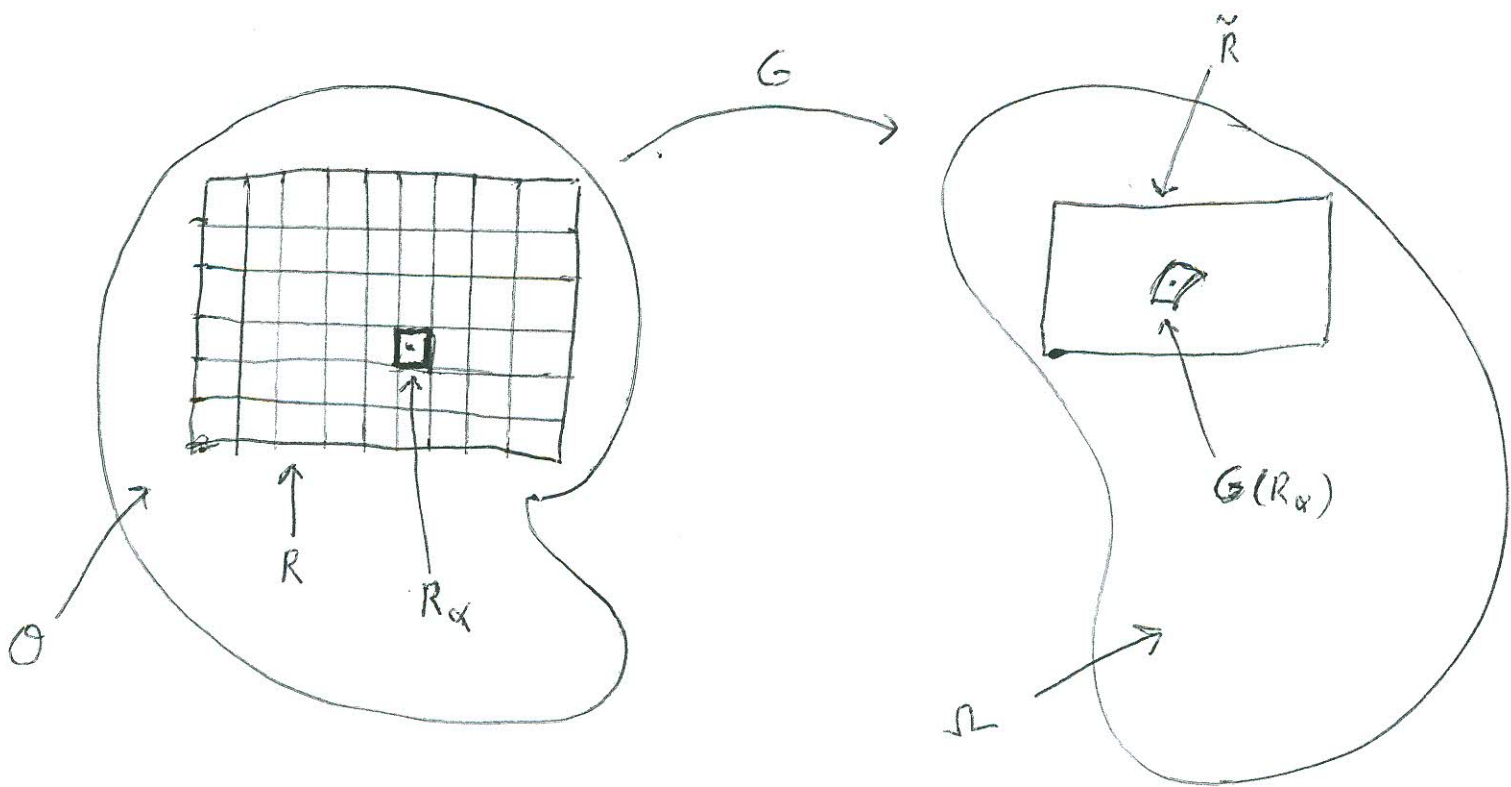


Fig. 4.2

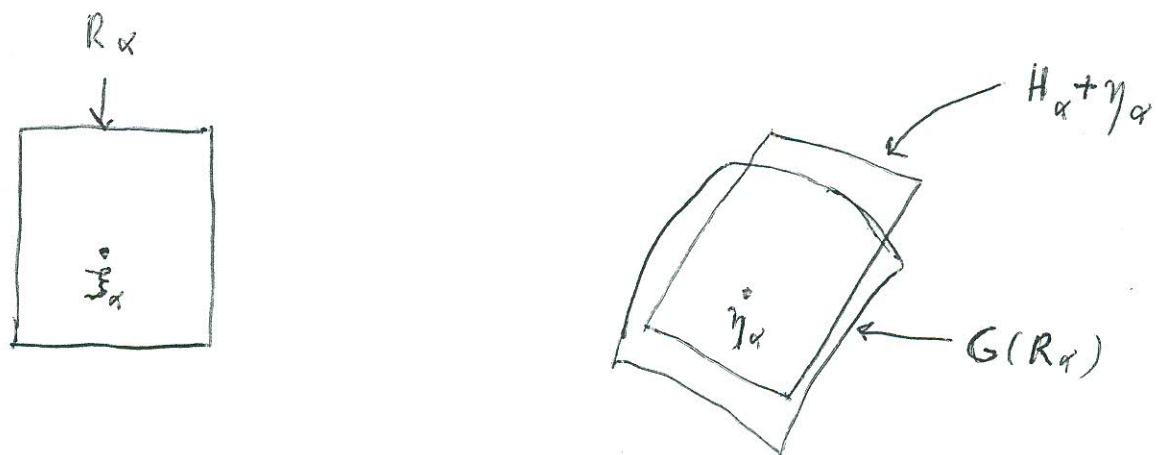


Fig. 4.3

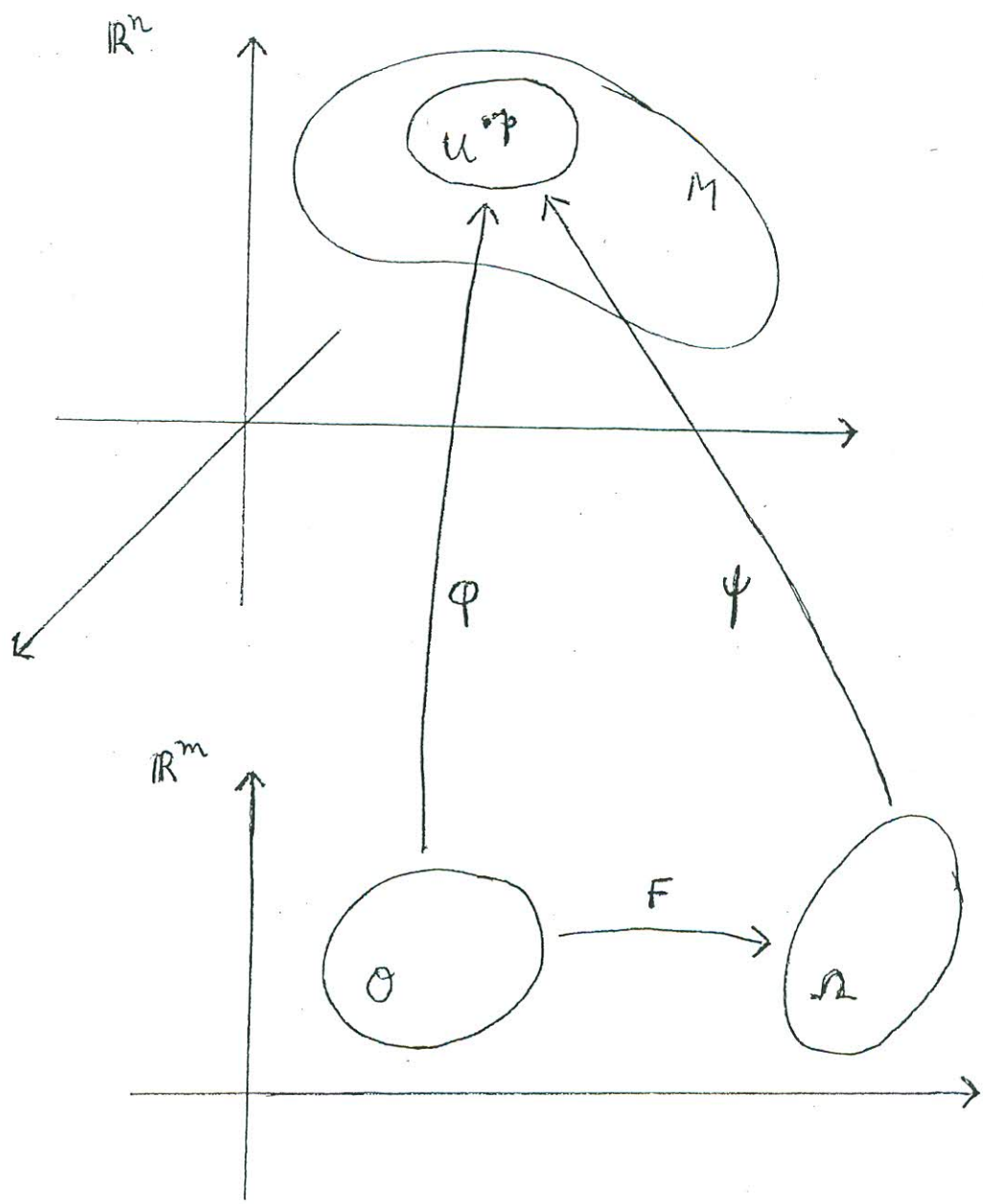


Fig. 5.1

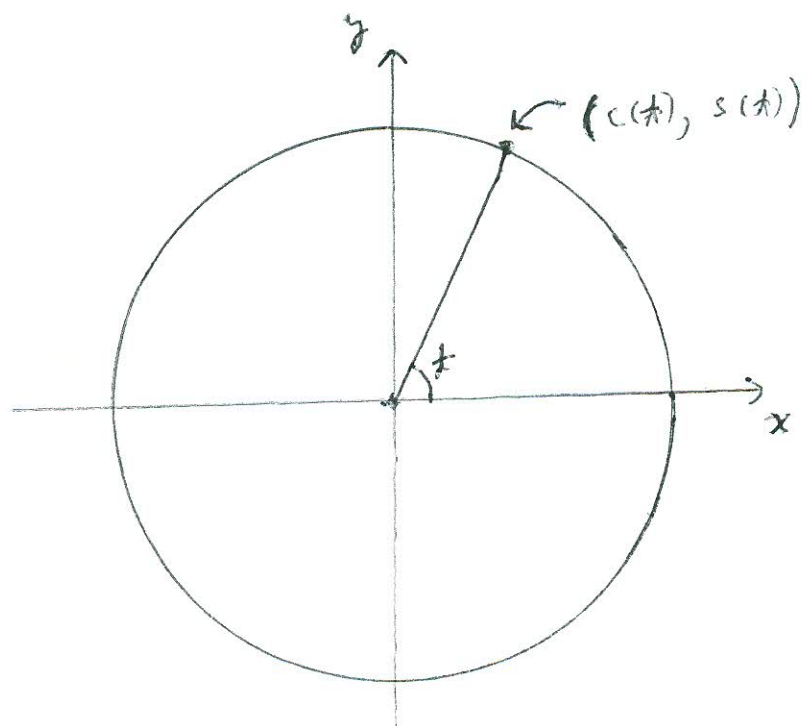


Fig. 5.2

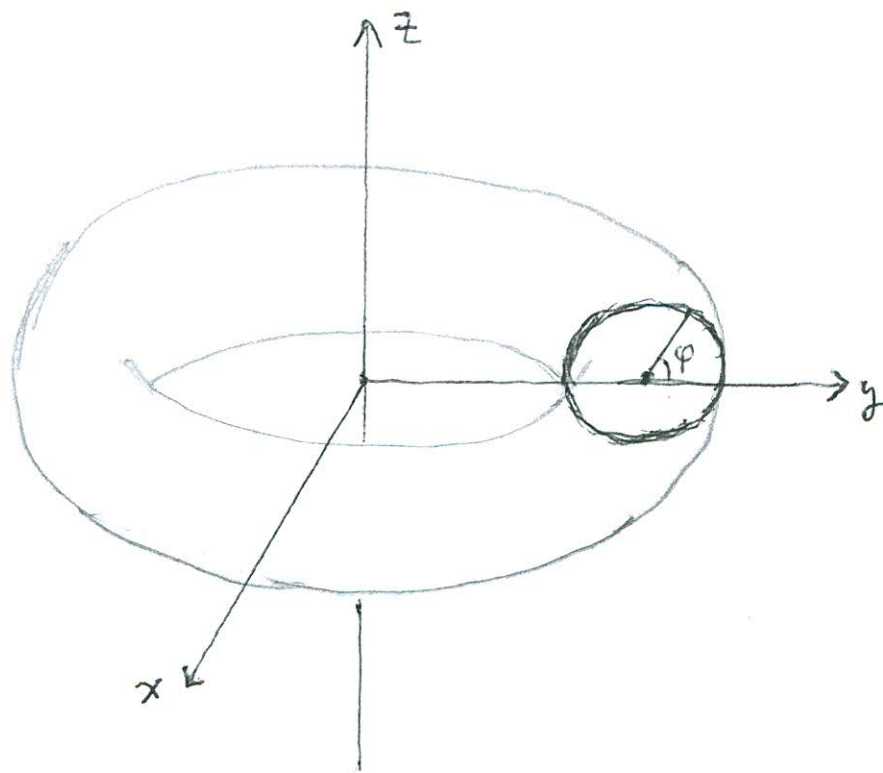


Fig. 5.3

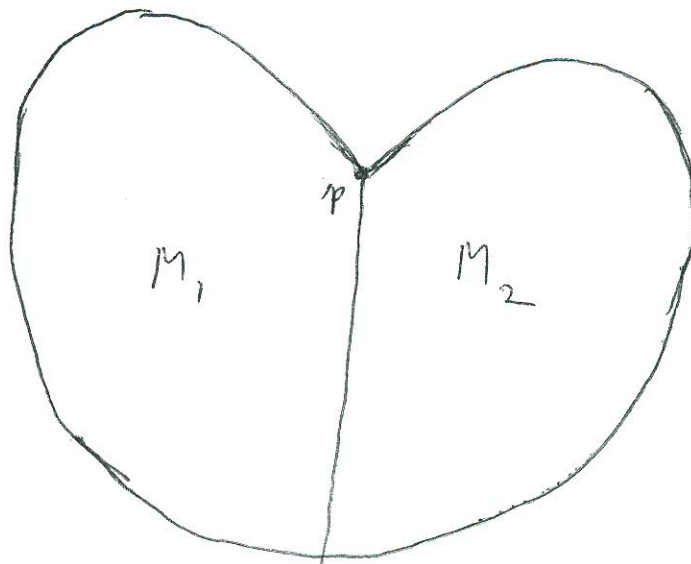
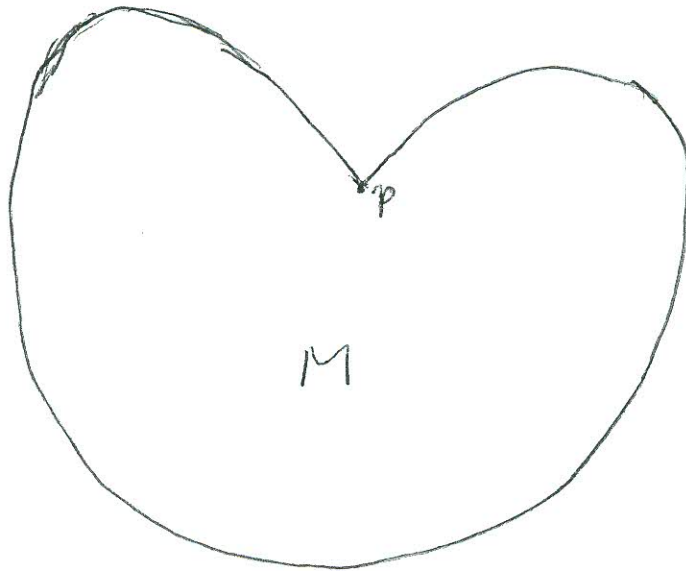


Fig. 8.1

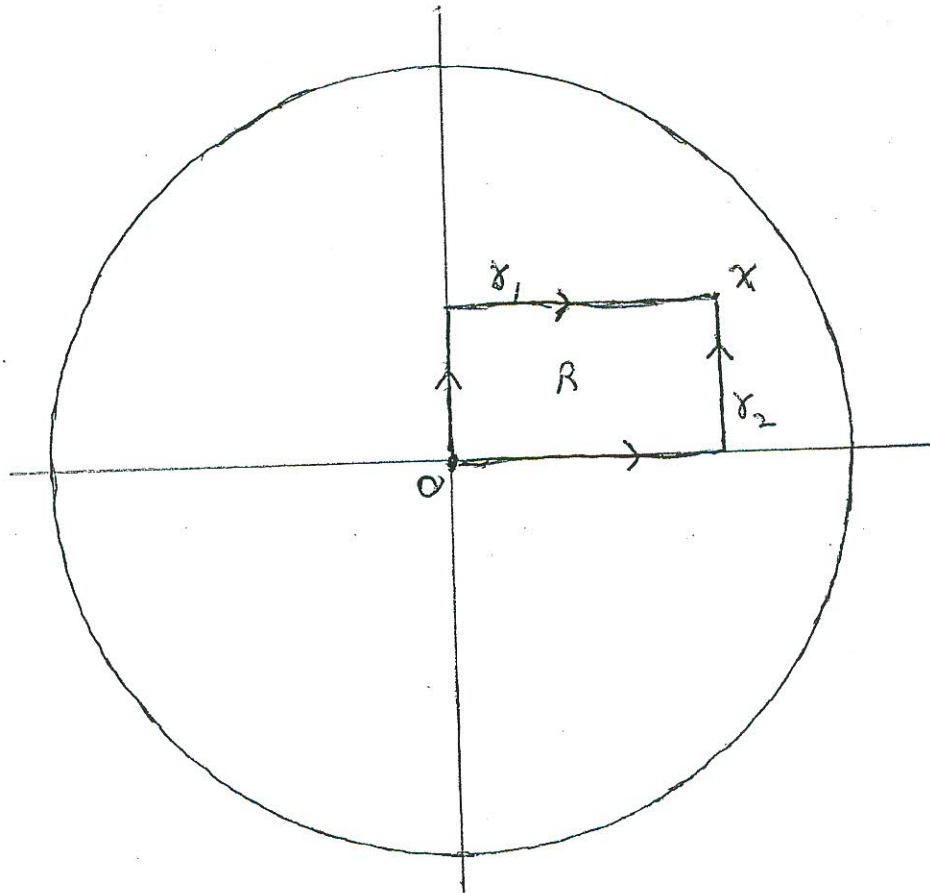


Fig. 8.2.

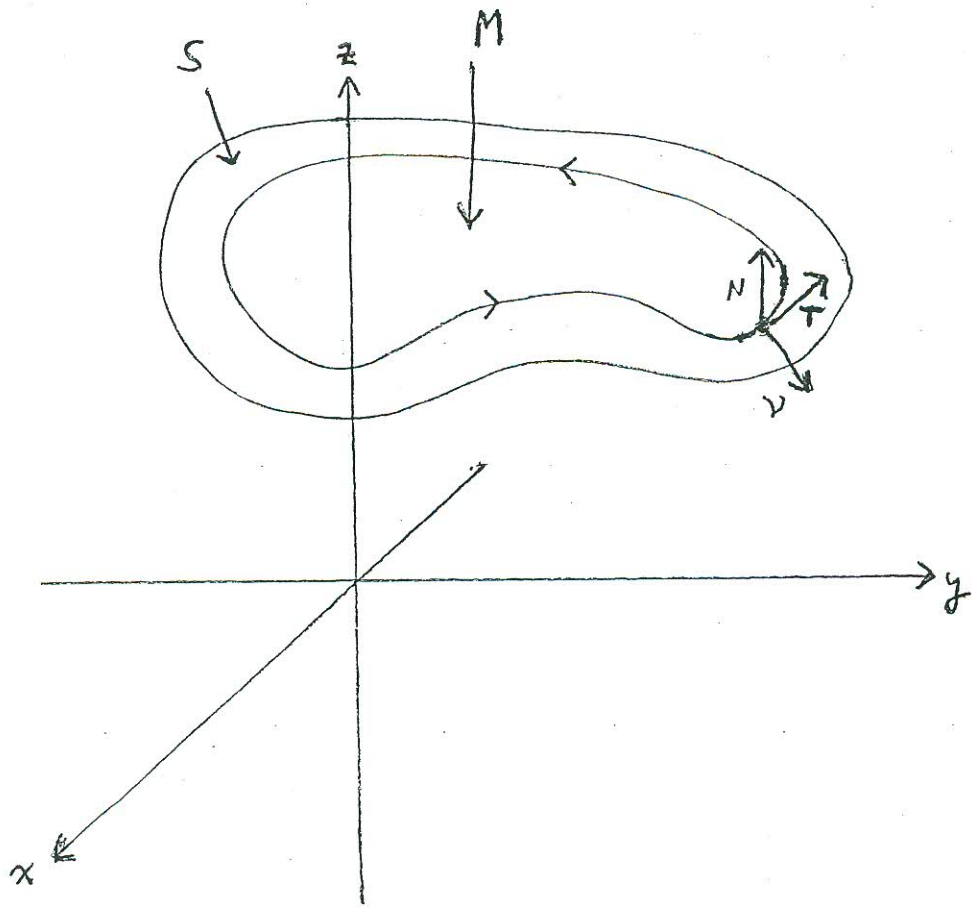


Fig. 9.1

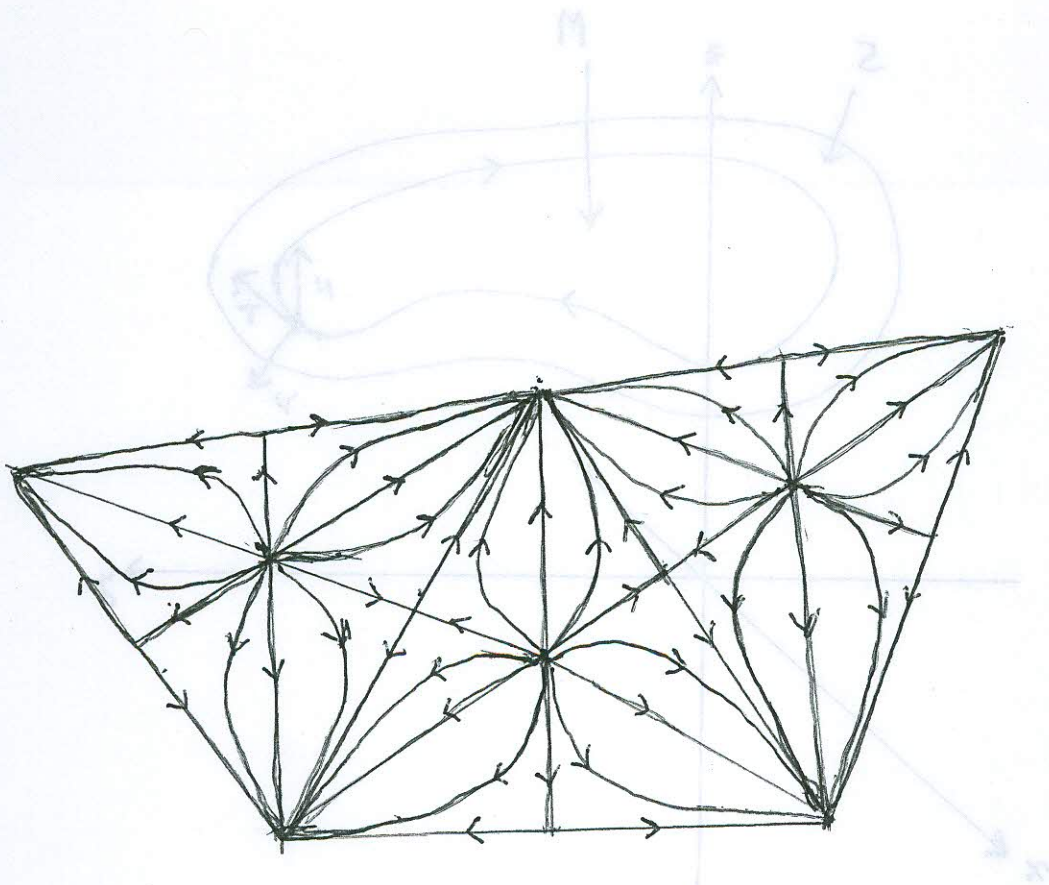


Fig. 12.1 I.P. 105